

Figure 13 Mirror Removal

E. Mirror Removal

If you wish to remove the half-silvered mirror for cleaning or replacement, follow these instructions. **Handle the glass mirror with care**—it is heavy! Never wipe the silvered side with an abrasive cloth: you will scratch the coating.

Unlock and remove the rear access panel. Unplug the harness connector located at the left side of the cabinet opening.

Remove the two Phillips screws that secure the wood support (located at the mirror's rear edge): see Figure 13. Carefully slide the wood support and the mirror out of the cabinet. Note that the wood is **NOT** attached to the mirror!

F. Housing Removal

If you wish to replace the fluorescent tube, either speaker or any of the acrylic panels, you will need to remove the front housing from the game. Follow the illustration in Figure 14.

Remove the three Allen-head screws and split lock washers at the top of the game, as well the three at the bottom of the housing. They secure the housing to the cabinet.

Tilt the top of the housing towards you, then unplug the harness connector for the speakers. Remove the housing and lay it on a clean surface,

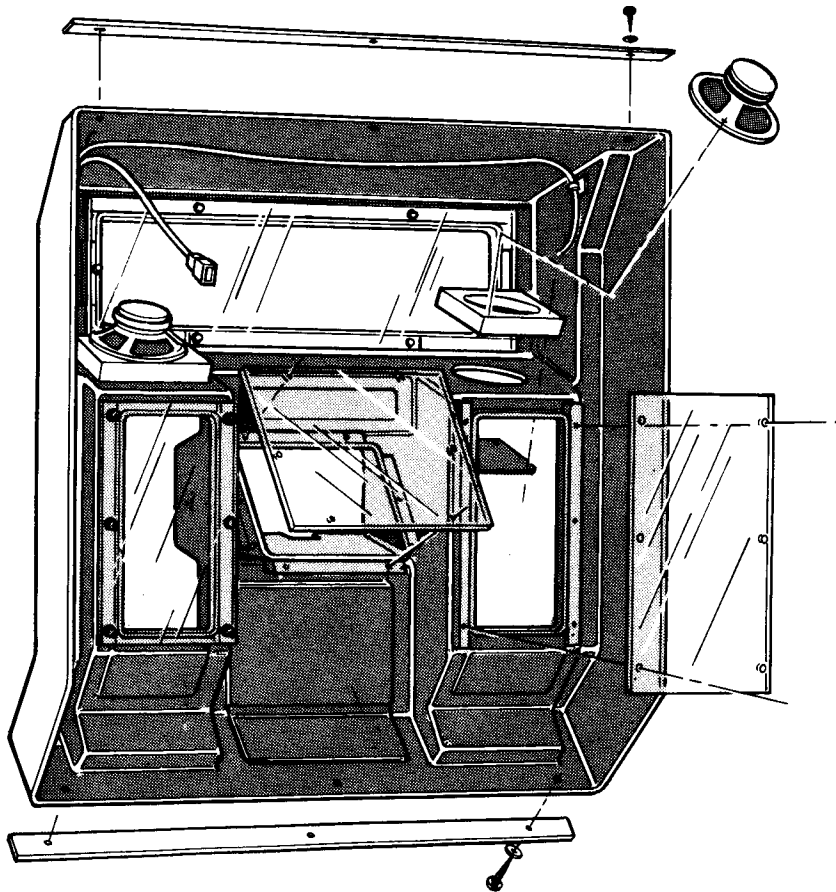


Figure 14 Housing Removal and Speaker Replacement

with its inside facing up. You can now service any parts in the housing, as well as replace either fluorescent tube. You'll find a list of housing replacement parts in Figure 23.

1. Fluorescent Tube Replacement

⚠ CAUTION ⚠

If you drop a fluorescent tube and it breaks, **it will implode!** Shattered glass can fly 6 feet or more from the implosion. Use care when replacing any fluorescent tube.

To replace the white fluorescent or blacklight tube behind the front graphics attraction panel, follow this procedure (see Figure 15):

1. Remove the housing as described previously. Unplug the harness connectors for both fluorescent tubes. If you have to replace the **blacklight** tube, then also remove the two screws that

secure the light board to the cabinet, and slide out the whole assembly.

2. Remove the two Y-shaped connectors from the ends of the fluorescent tube. Now carefully remove the tube from its clamps by pulling it towards you.
3. Replace with a new tube. Do not snap the tube in vigorously—you may break it, causing an implosion!
4. Reconnect the Y-shaped connectors. Reinstall the fluorescent light assembly with the two screws (if you removed it). Reconnect the harness connectors, and replace the housing on the front of the game.

2. Speaker Replacement

First disconnect the harness plugs for the defective speaker. Then remove the four screws that hold the speaker in the wood mounting block (the wood block and speaker grille remain attached to the housing with rivets). Replace the speaker, then reconnect the harness connectors.

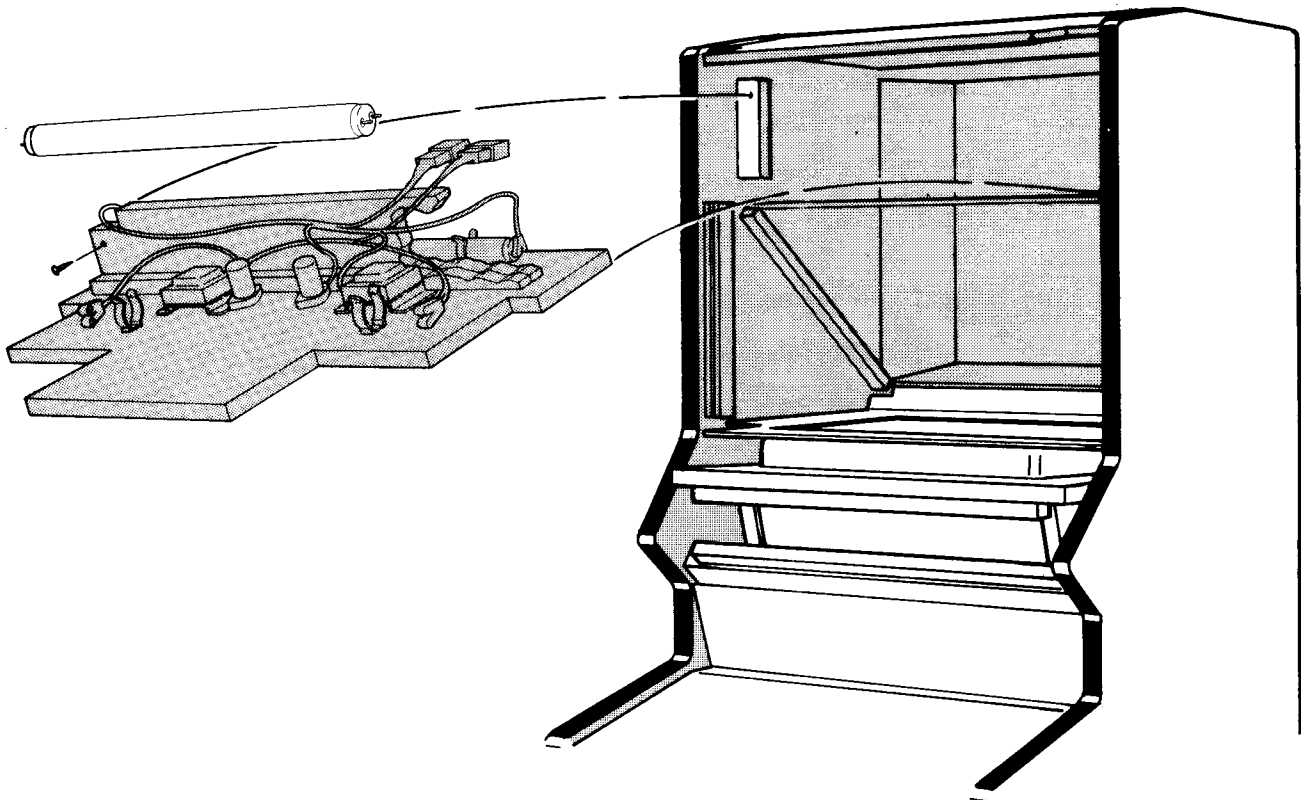


Figure 15 Fluorescent Tube Replacement